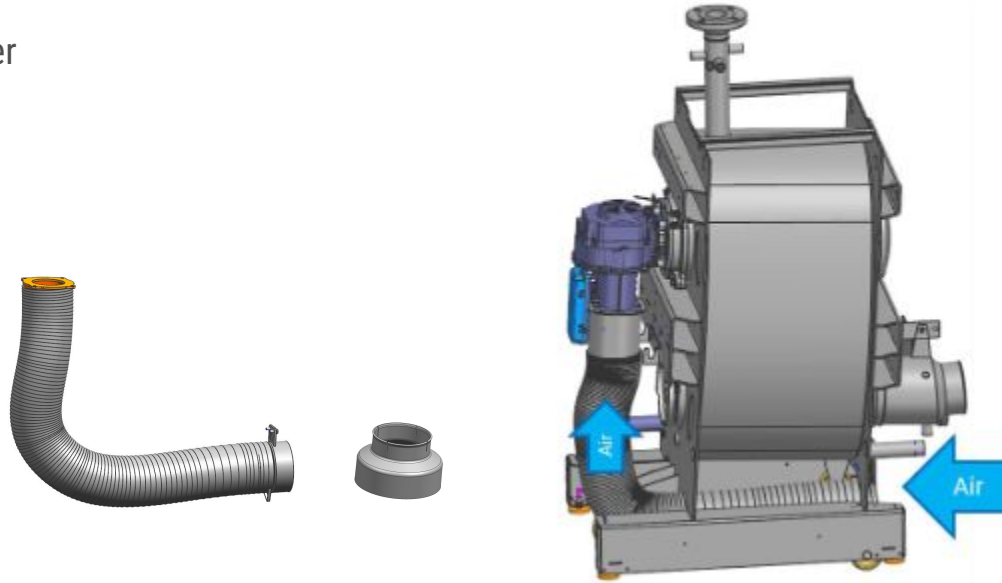


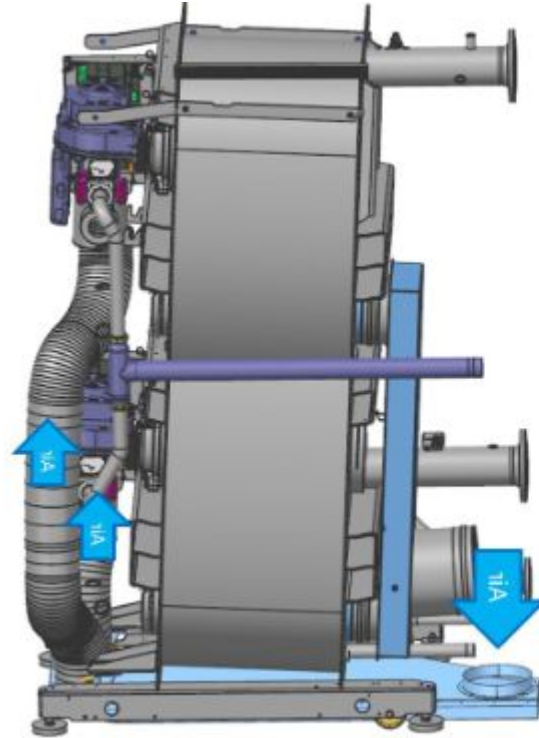
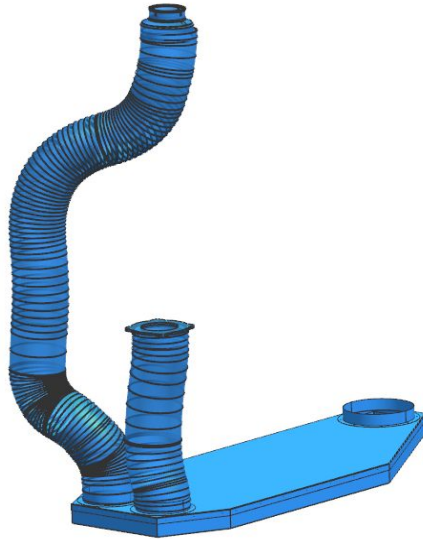
# Combustion air supply independent of room air

**Accessories** for single boiler

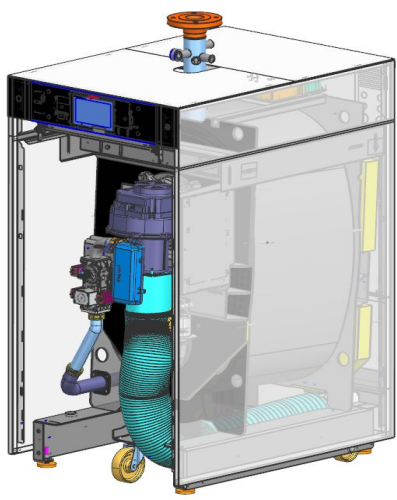


# Combustion air supply independent of room air

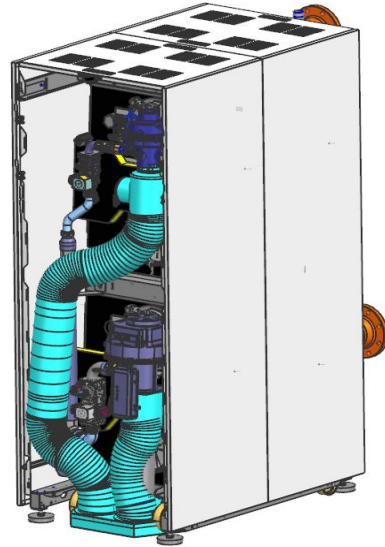
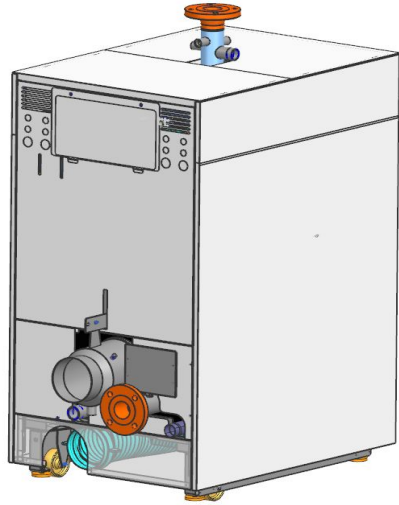
**Accessories** double boiler



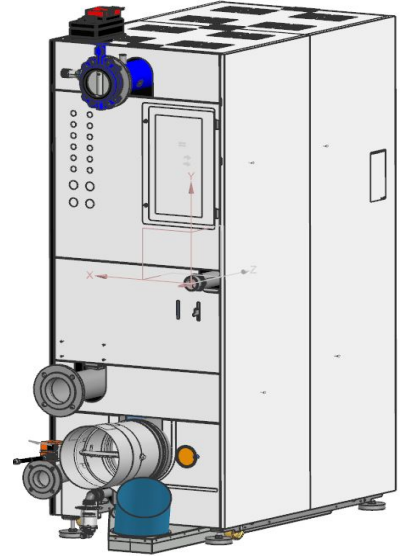
# Combustion air supply independent of room air



Single boiler



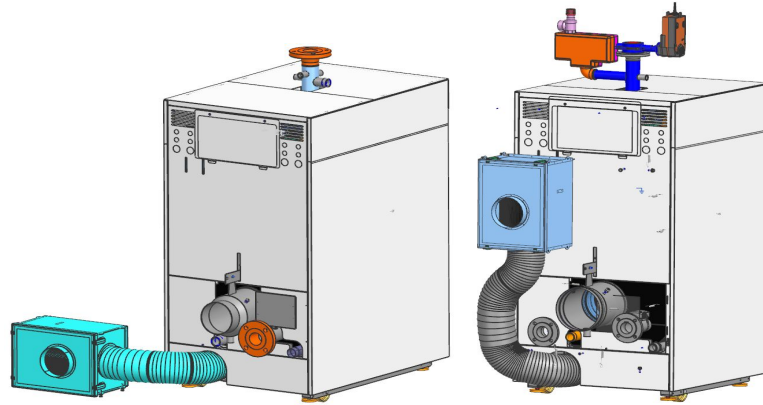
Double boiler



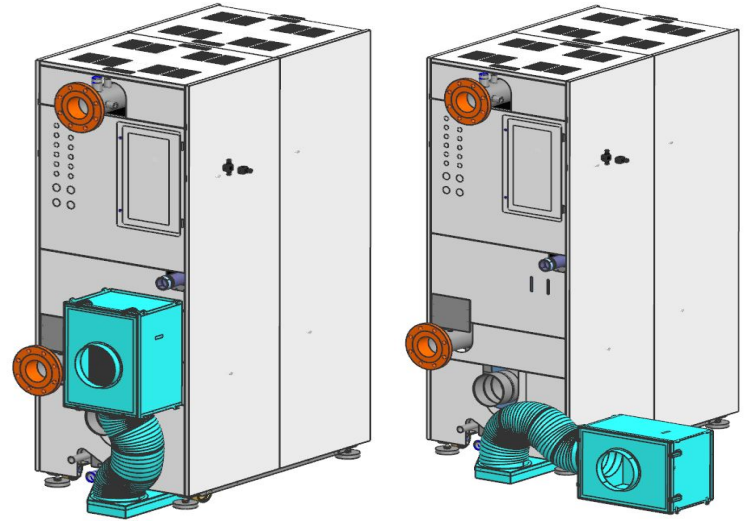
# Combustion air supply independent of room air

## Accessories

Air filter



Single boiler



Double boiler